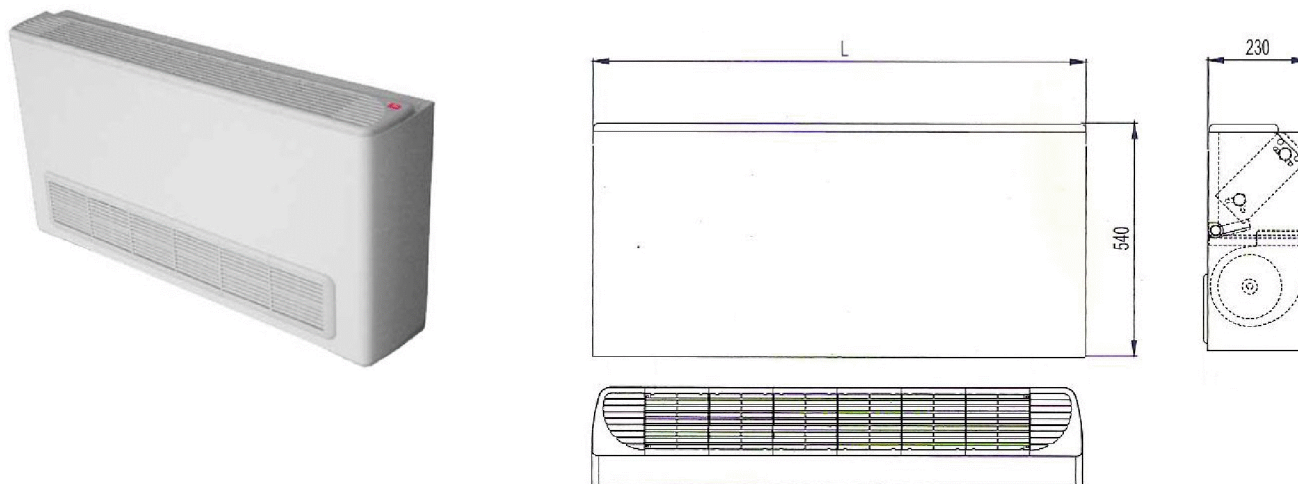


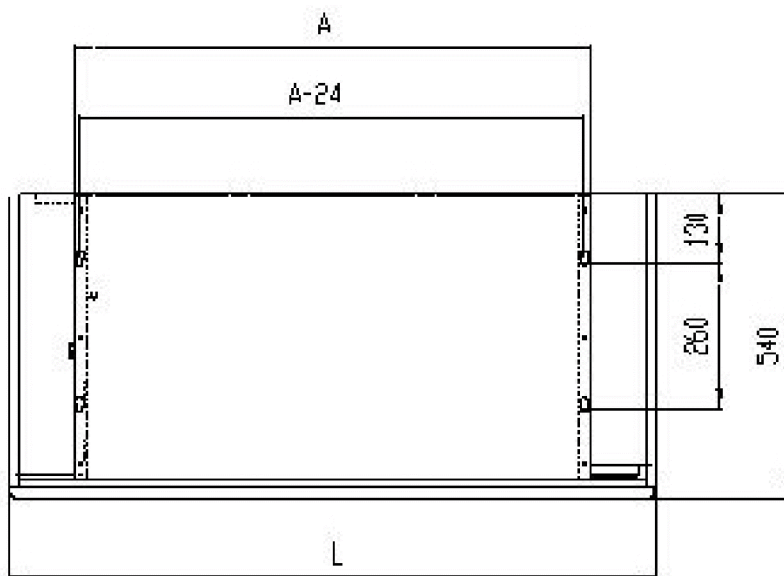
Fan coil units FP series

Dimensions



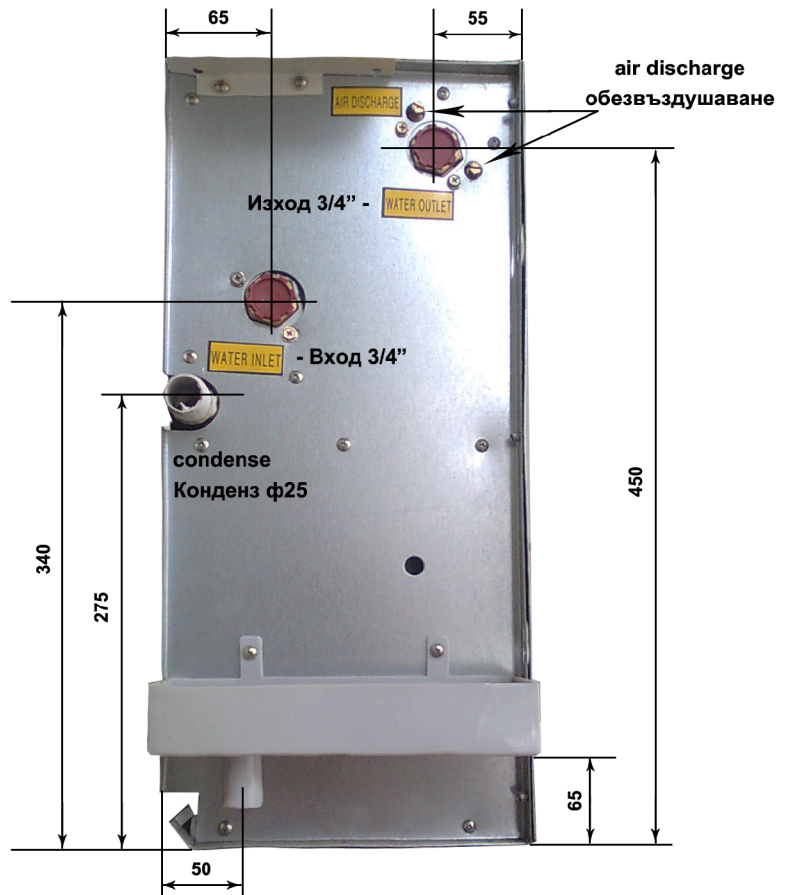
Model	FP-3,4	FP-5,1	FP-6,8	FP-8,5	FP-10,2	FP-13,6	FP-17,0
L	847	997	1147	1297	1447	1597	1897
A	622	772	922	1072	1222	1372	1672

The fan coils can be mounted also on the wall - they have manufacturing holes on their backside for the purpose:

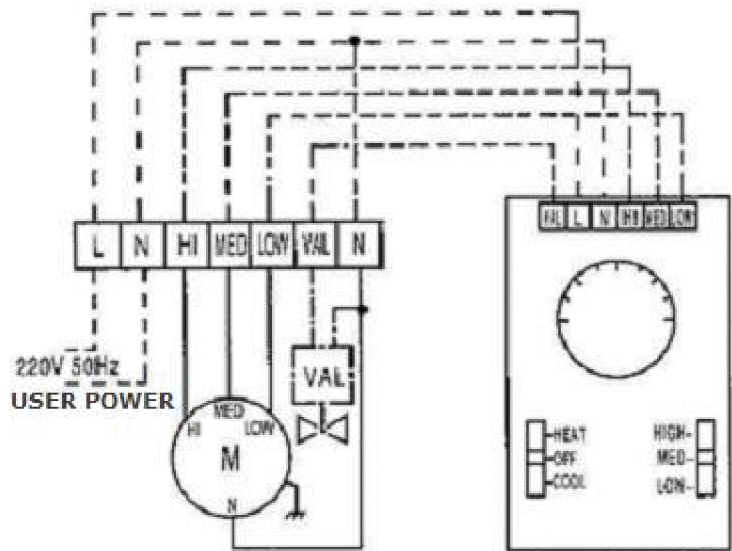
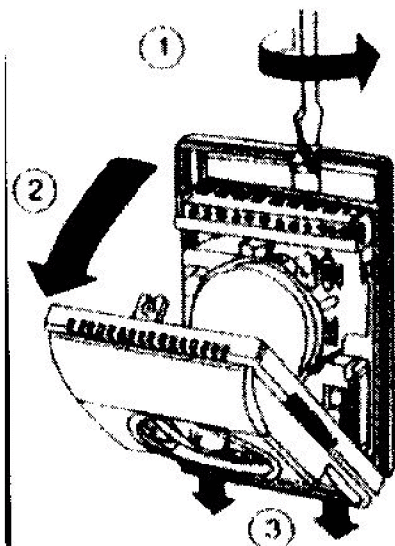


Installation – fitting dimensions of the fan coil

The fan coil units FP series are delivered factory assembled for left and right installation.



The controller can be uninstalled from the fan coil and installed on a wall in the room.



VAL	2-WAY VALVE	HI	HIGH SPEED
M	MOTOR	MED	MEDIUM SPEED
L	POWER LINE	LOW	LOW SPEED
N	NEUTRAL LINE		